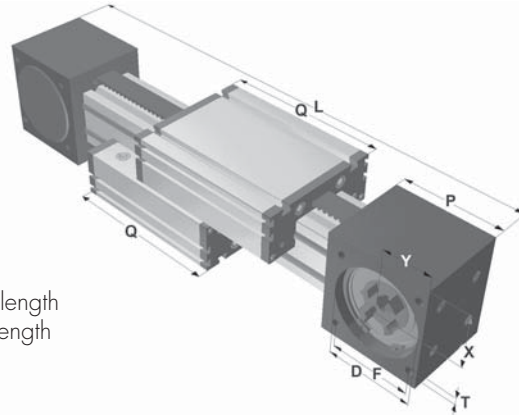


Increasing the carriage length will increase the basic length by the same amount.



3



\*For Truts refer to the accessory section

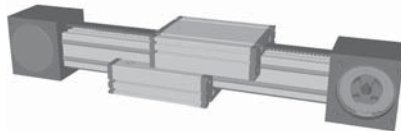
Size	Basic length L	A	B	C	D	F	G	H	K	MM	OO	P	Q	T	X	Y	Basic weight	Additional Weight per 100 mm
ELZG 30	195	70	56	42	28	25	-	-	52	-	M6	55	82	M4	16	16	1,1 kg	0,13 kg
ELZG 40	265	100	66	60	55	55	-	-	70	-	M6	70	122	M6	35	33	4,0 kg	0,29 kg
ELZG 60	365	144	96	88	80	70	-	-	98	-	M8	95	168	M8	49	46	10,3 kg	0,65 kg
ELZG 80	460	170	117	118	110	100	10	30	140	M6	M10	130	194	M10	70	60	23,5 kg	1,15 kg
ELZG 80S	480	190	126	118	110	100	12,5	30	142	M6	M8	130	214	M10	70	60	24,5 kg	1,15 kg

**Choice of guide body profile:**

- 0** (0) standard (1) stainless guide rods (2) stainless guide rods and screws (3) stainless guide rods, rollers and screws

**Choice of carriages:**

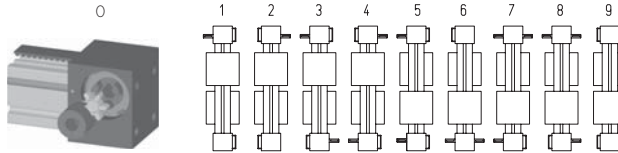
- 0** (0)



For standard carriage length see 'Q' in table. The carriages can be delivered in any non-standard length upon request; the longer the carriage, the greater the load capacity.

**Coupling - shaft mounting:**

- 0**



9 is as 0, but with jaw couplings on both sides of both pulleys.

The standard version is supplied without shaft. A shaft can be retrofitted by inserting in the pulley bore and securing with 2 locking rings or tension sets (size 80)

**Belt table**

Code No.	Size	Belt	mm/rev.	Number of teeth
<b>0 1</b>	30	3M12	120	40
<b>0 3</b>	40	5M15	160	32
<b>0 4</b>	60	5M25	220	44
<b>0 7</b>	80 (S)	8M30	320	40

**Shaft dimensions**

Size	Shaft ∅ h6 x length	Key
30	6 x 15	2x2x12
40	14 x 35	5x5x28
60	18 x 45	6x6x40
80 (S)	22 x 45	6x6x40

Basic length + stroke = total length

**ELZG 40 1 0 0 0 0 3 1 01500**

Pos. 1 2 3 4 5 6 7

Sample ordering code:  
ELZG 40, standard body profile, standard carriage and jaw coupling on one side, 1235 mm stroke.